

Great in form and function
New features 2013/2014





More stylish, more significant,
more passion
Theben's new look



Theben – your leading premium supplier of intelligent solutions for energy saving and increased comfort in and around your building. Each of our products and systems actually helps to use natural resources more conscientiously and at the same time increase your quality of life. Theben have been working towards this goal for nearly a hundred years. With numerous long-lasting and reliable innovations. During this time the company's appearance has become more modern and brighter and continues to do so.

Discover a new side of Theben: In moments where everything is in order, thanks to being in the right place at the right time. Our appearance is new. However, one thing hasn't changed: The promise to deliver top quality. Three words can express this: energy saving comfort.



swiss perfection

swiss perfection

swiss perfection

swiss perfection

thePrema – More discreet,
clearly, more stylish
The new presence detector
with perfect design



A truly stylish device

The Swiss premium presence detector from ThebenHTS

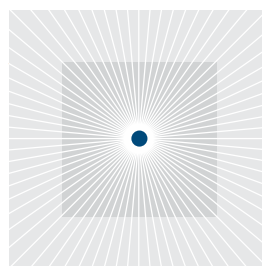


This product registers all movements in rooms where people are thinking, learning and working: thePrema – ideal for schools, offices and administrative buildings, halls and hotels.

Its shape is similar to a drop of water forming: clear, round, perfectly formed. It looks light and almost as if it were swaying in the wind. And it is so slim that it's hardly noticeable when fitted on the ceiling. No more ugly casing. Just pure functionality. Yet those who notice it are thrilled by its attractive design and its range of functions.

Actually, it would be hard to find another presence detector that boasts such a range of qualities. Everyone who learns of its advantages in open-plan offices, corridors, classrooms and conference rooms, warehouses or sports halls can benefit from it. thePrema regulates light, heating and air conditioning – regardless of whether or not there is someone in the room. In this way, everyone feels comfortable and only the energy that is really needed is used. This presence detector is available in the alternative models thePrema Standard and thePrema Performance.

5 year guarantee*: thePrema stands out thanks to its top quality and reliability. Come what may: Our presence detector is always at the ready. And should it ever not be, then we are there for you. We offer you a five year guarantee – * In accordance with the warranty conditions, see www.theben.de/en/guarantee.



Squaring the circle: thePrema is based on tried and tested ThebenHTS technology, the inventor of the presence detector from Switzerland. Despite its round shape, the new range has a square detection area.

Easier to use and install

Whilst developing thePrema presence detectors, we have particularly wanted to put one aspect first: Simplicity – for the person installing it and the user, both in installation and use. Enjoy the new ease of handling.



Intelligent parallel switching

thePrema allows for more than just increasing the detection area via the master slave switches. Via Master-Master-parallel switches the lighting conditions can be set in the detection areas of individual devices independently, without depending on other devices and therefore individually. That is then an advantage, where in open-plan offices, different lighting conditions are to be balanced between areas close to windows and the room's interior.



Automatic push button/switch-recognition

thePrema recognises automatically if a push button or switch has been connected. This makes installation easier for you and rules out any installation errors from the outset.



Easy to use remote control

With the remote control, settings can be easily made and changed from ground level. This is faster, shortens installation times and lowers costs. And, moreover, it is safer.



Reliable Teach-In-function

Lighting conditions change quickly – it is good if you can simply save them when they are exactly how you want them to be. With the reliable Teach-In function, the current lux value can be continuously maintained. With the push of a button via remote control. No specialist knowledge required. by the end user. It couldn't be easier.



Individual light scenarios

Bright daylight or soft dimmed light – You can choose between two light scenarios, that you can define however the mood takes you. For example, in the case of conference rooms where the light has to be dimmed for presentations. As well as for just those lighting arrangements that are necessary for everyday situations. Settings can be made, saved and changed quickly and easily using the remote control.



Sensitivity that can be set

How sensitively thePrema reacts to a presence in the room, is entirely up to you. The PIR sensors can be conveniently set using the remote control – according to the individual user's requirements.



The simplest energy-saving setting

"eco" stands for optimum switching response. "eco plus" for maximum energy savings. You decide what is best for you at the push of a button. Exactly how you like. Exactly how you need it. There is no easier way to save energy.



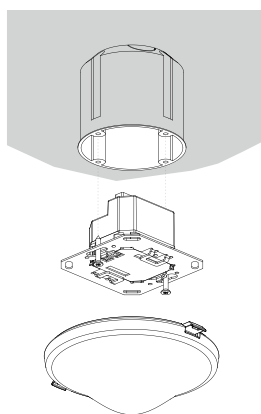
(left) Service remote control theSenda P
(right) User remote control theSenda S



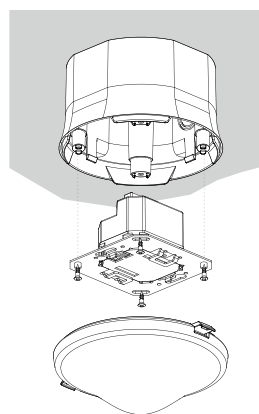
Multiple installation options

Surface mounting, flush mounting or ceiling mounting. Everything is possible – and everything is simple. As thePrema is extremely slim on the surface and slim in diameter.

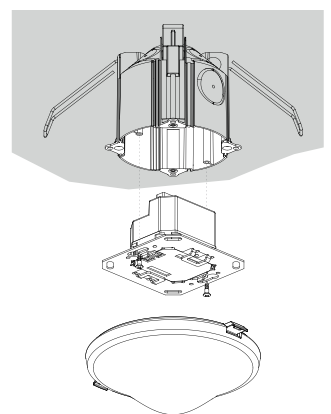
Flush mounting FM



Surface mounting SM



Ceiling mounting CM



More energy efficient to use

thePrema constantly contributes towards the optimum use of energy. As little as possible, as much as is necessary – so that people can live, think and work in optimum lighting conditions, and at the most comfortable room temperature possible.





Innovative light measurement

The integrated, calibrated light measurement provides a reliable and continual measurement of the proportion of artificial and natural light. Here the new "Spot and Wide" function reacts perfectly to the different conditions in the room and ensures optimum lighting even in difficult lighting conditions.



Permanent light measurement

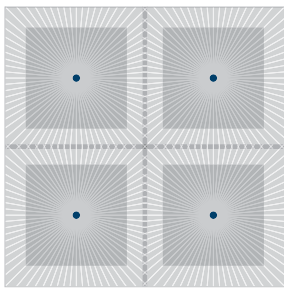
thePrema does not only register movements in the room, but also measures the level of light. Constantly. This means that when there is sufficient daylight, it switches the artificial lights off – and when there is not enough daylight it switches them back on. This also increases comfort levels – and reduces energy consumption.



Self-learning time delay

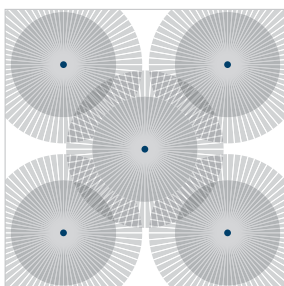
thePrema thinks for itself: Depending on how the people in the room behave, it shortens or lengthens the time delay. If the presence detector registers more movement, the time delay is shortened to just two minutes. If the people hardly

move, this is increased up to 20 minutes. This saves energy, creates comfort and allows people to work in the most efficient way for them: active and lively or still and focused.



Square detection-area

thePrema is round in shape, but its detection area is square like the majority of rooms in which it is used. This means that individual detectors can be perfectly arranged. With no gaps or overlapping. No blind spots. This makes planning easier, reduces installation times, saves energy and lowers costs – as a rule, due to the square detection area, less detectors are necessary.



Flexible solution

With up to 3 lighting channels and 2 motion channels, even complex systems can become child's play.



Illuminating short stays

In the event of a short stay, the light is only on for two minutes. thePrema "recognises" whether there is someone in the room and how long for. This means that whoever enters the room for a short period of time does not automatically trigger the time delay that has been set and therefore does not have to go without light.



Safe stair light-function

With thePrema nobody trips up, not even on the stairs. The light can be turned on using the switch, but it only goes off when there is no longer movement on the stairs. This means that someone who is at the top of the stairs is not suddenly left in the dark because someone at the bottom has switched off the light.



Sensitive room surveillance

Nothing escapes thePrema. This is particularly an advantage when the presence detector is linked in to the building system technology of a large office or administration building. In this way the building management always know in which rooms there are still people working.



Integrable KNX variants

The high-performance thePrema KNX variants cover all of the requirements of modern building management. Via the ETS they are also easy to integrate and parametrise into new and existing KNX installations.

5 year
guarantee*

A wider range of uses thePrema



thePrema S



thePrema P

swiss perfection

swiss perfection

swiss perfection

swiss perfection

Product description

Common functions

- Presence detector for ceiling mounting (PIR)
- 5 year guarantee*
- Square detection range of 360° for safe and easy planning
- Mixed light measurement suitable for LEDs, fluorescent lamps (FL/PL/ESL) and halogen/incandescent lamps
- Channel A light: relay, 230 V
- Can be used as fully or semi-automatic, switchable brightness switching value can be set
- Teach-In function
- Self-learning time delay
- Reduced time delay in the event of a shorter stay in the room (short presence)
- Optional connection of push button or switch to a manual switch with automatic recognition push button/switch
- Impulse function for stair light time switch

- Channel H, presence: relay, floating, e. g. for HVAC control or notification functions
- Switch-on delay, time delay and detection sensitivity can be set
- Extremely easy setting of energy saving characteristics with the new "eco plus" function
- Test mode for checking function and detection range
- Extension of the detection area via the master/slave or master/master switch, a maximum of 10 detectors can be switched on in parallel
- User remote control and management-remote control (optional)
- Teaching in of the brightness switching value
- Room monitoring
- Room correction factor setting for brightness measurement calibration
- Available in white and grey

thePrema S360-100

- 1 channel light, detection area 8 x 8 m

thePrema S360-101

- 1 channel light and 1 channel presence, detection area 8 x 8 m

thePrema P360-101

- 1 channel light and 1 channel presence, detection area 10 x 10 m
- Light measurement can be switched to spot or wide measurement

thePrema P360/S360 Slave

- Slave versions, only useable when combined with Master

5 year
guarantee*

Higher performance thePrema KNX



thePrema S KNX



thePrema P KNX

swiss perfection

swiss perfection

swiss perfection

swiss perfection

Product description

Common functions

- Presence detector for ceiling mounting (PIR)
- 5 year guarantee*
- Square detection range of 360° for safe and easy planning
- Mixed light measurement suitable for LEDs, fluorescent lamps (FL/PL/ESL) and halogen/incandescent lamps
- Can be used as fully or semi-automatic, switchable
- Switch or constant light control mode with stand-by function
- Dimmable lighting in switch mode with stand-by function
- Brightness switching value or set point value can be set in lux using parameters, on the device itself or via remote control
- Teaching in of the brightness switching value or the set point value

- Room correction factor setting for brightness measurement calibration
- Light time delay can be set using parameters, on the device itself or via remote control
- Switch on delay and time delay for presence can be set
- Detection sensitivity can be set
- Self-learning time delay
- Reduced time delay in the event of a shorter stay in the room (short presence)
- Scenario functions
- Extremely easy setting of energy saving characteristics with the new "eco plus" function
- Test mode for checking function and detection range
- Parallel switching of several detectors in Master/Slave or Master/Master possible
- User remote control and management-remote control (optional)
- Room monitoring
- Available in white and grey

thePrema S360 KNX

- Detection area 8 x 8 m
- 2 channel light and 2 channel presence
- 2 channel light C1, C2 with 1 light measurement
- 2 presence channels can be set individually with parallel offset
- Adaptable 1 channel light measurement

thePrema P360 KNX

- Detection area 10 x 10 m
- 3 channel light and 2 channel presence
- 2 channel light C1, C2 with 2 light measurements and additional lighting channel C3 without brightness factor
- 2 presence channels can be set individually
- Adaptable 3 channel light measurement

* In accordance with the warranty conditions, see www.theben.de/en/guarantee

More about
thePrema presence detector



A more extensive range choice and detection areas

Product range thePrema S and P

	thePrema P360-101	thePrema P360 Slave	thePrema S360-101	thePrema S360-100	thePrema S360 Slave
Operating voltage	230 V AC / 50 Hz				
Protection rating	IP 40				
Switching capacity light	2300 W / 1150 VA	-	2300 W / 1150 VA	2300 W / 1150 VA	-
Switching capacity Presence	50 W / 50 VA	-	50 W / 50 VA	-	-
Light measurement	Spot / Wide	-	Spot	Spot	-
Brightness setting range	5 - 3000 lx	-	5 - 3000 lx	5 - 3000 lx	-
Light delay time	10 s - 60 min	-	10 s - 60 min	10 s - 60 min	-
Presence switch-on delay	0 - 10 min	-	0 - 10 min	-	-
Presence time delay	10 s - 120 min	-	10 s - 120 min	-	-

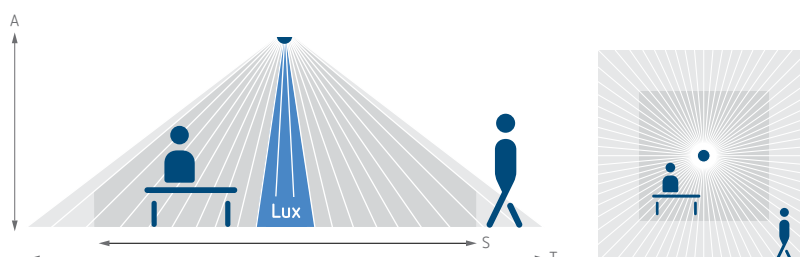
Product range thePrema S KNX and P KNX

	thePrema S360 KNX	thePrema P360 KNX
Operating voltage	Bus voltage	
Protection rating	IP 40	
Light switching	Yes	Yes
Constant light, dimming	Yes	Yes
Light measurement	1 x mixed light	3 x mixed light can be selected
Brightness setting range	5 - 3000 lx	
Light delay time	30 s - 60 min	
Presence switch-on delay	10 s - 30 min / inactive	
Presence time delay	10 s - 120 min	
Standby brightness	1 - 25 %	
Standby time	30 s - 60 min / inactive / on constantly	
Ambient temperature	0 °C ... +50 °C	

Detection area thePrema S + S KNX

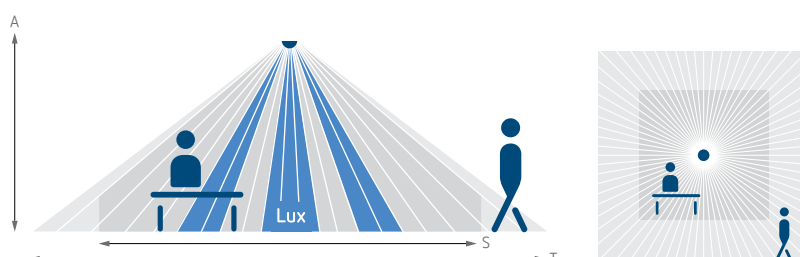
Height (A)	Sitting (S)	Walking (T)
2.0 m	9 m ² (3.0 x 3.0 m)	20 m ² (4.5 x 4.5 m) ¹
2.5 m	16 m ² (4.0 x 4.0 m)	36 m ² (6.0 x 6.0 m) ¹
3.0 m	25 m ² (5.0 x 5.0 m)	49 m ² (7.0 x 7.0 m) ²
3.5 m	-	64 m ² (8.0 x 8.0 m) ²

¹ ±0.5 m ² ±1.0 m



Detection area thePrema P + P KNX

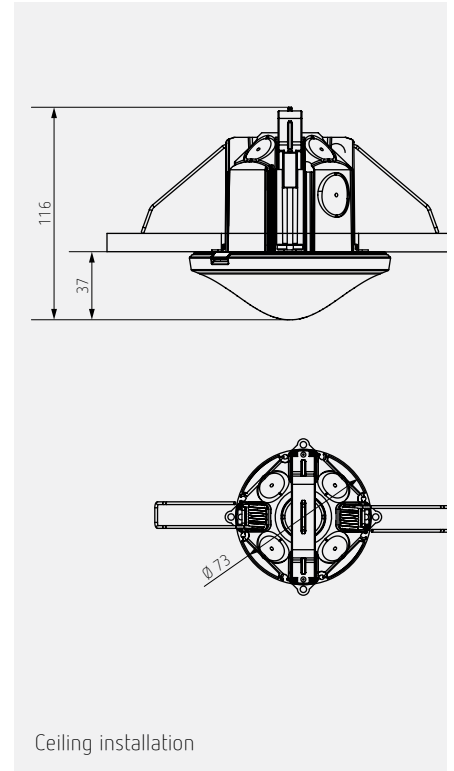
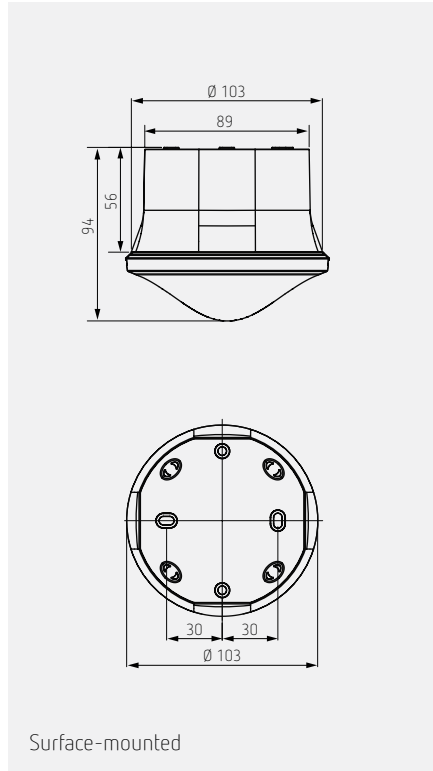
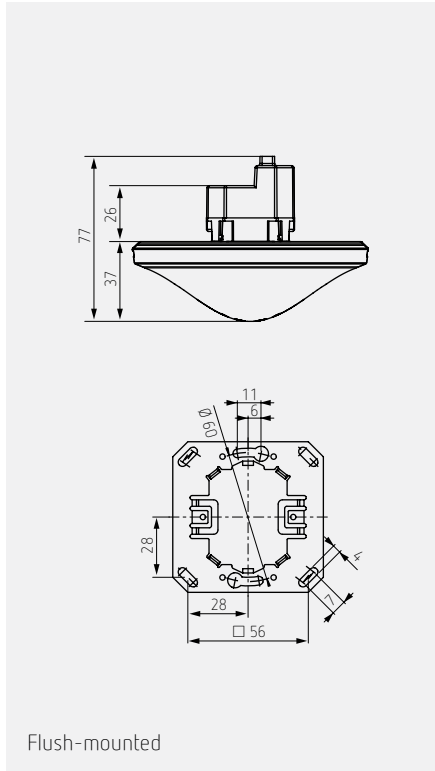
Height (A)	Sitting (S)	Walking (T) ± 0.5 m
2.0 m	20 m ² (4.5 x 4.5 m)	36 m ² (6.0 x 6.0 m)
2.5 m	36 m ² (6.0 x 6.0 m)	64 m ² (8.0 x 8.0 m)
3.0 m	49 m ² (7.0 x 7.0 m)	81 m ² (9.0 x 9.0 m)
3.5 m	64 m ² (8.0 x 8.0 m)	100 m ² (10.0 x 10.0 m)



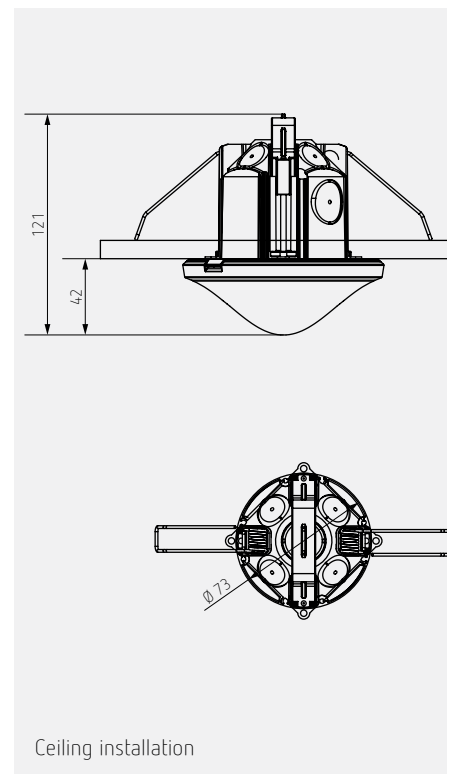
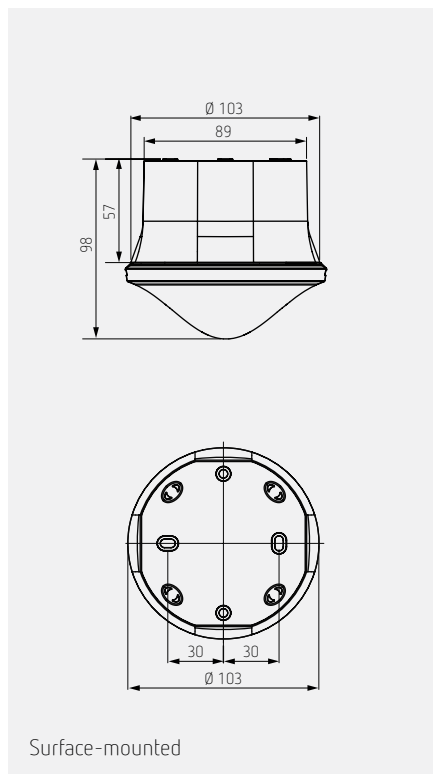
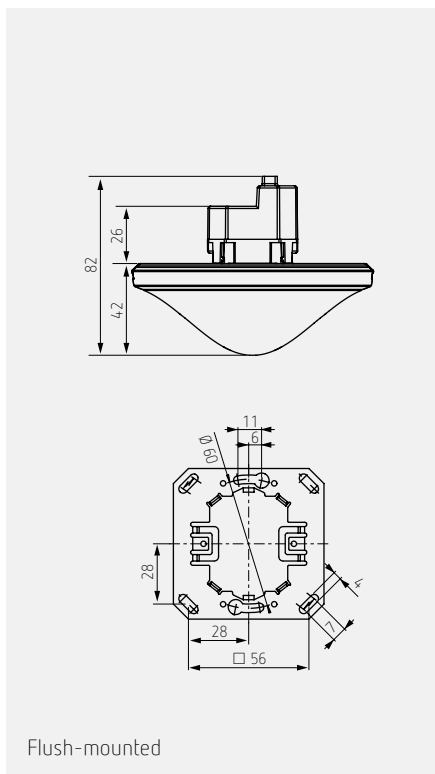
More flexible installation

Surface mounting, flush mounting and ceiling installation

Dimensions thePrema S



Dimensions thePrema P





theLuxa
Simpler, slimmer, more elegant
The new motion detector
in a compact design



A stylish range for homes and other buildings



Provides for a warm welcome and a sense of security: theLuxa – the motion detector for homes, private use and all situations where you want to add more light.

More elegant and slimmer than its predecessor, with improved technology making it more accurate. This is how theLuxor, the new motion detector from Theben, shows its best side. Whatever wall it is on, and in certain models even on the ceiling. Most people wouldn't even notice it. They appreciate it when the light comes on, a feeling of safety abounds and everyone can see safely.

There is no match for it in these aspects. Most other motion detectors are unable to boast all of the advantages of theLuxa. This makes it the ideal motion detector for private home use. In the entrance to family homes, for large driveways, back and side doors and also carports and bicycle storerooms.

theLuxa is now available in standard models S150/S180 and S360. Either white or black. In spring 2014 further models will be added to the theLuxa Performance range. Whether Standard or Performance, the whole product range wins you over with its harmonious, elegant design.



Chic – also in black. The theLuxa motion detector looks good and comes on quickly – exactly when needed. The S360 is also suitable for installation on ceilings.

Easier to install and use

It has an elegant shape and is easy to install – the theLuxa motion detector makes it easy for installer and users. Full of well-thought-out details, that have been developed to be able to detect movement more quickly.





Simple setting

No interrupted coverage
No long searches: The setting elements are highly visible, easily accessible and easy to set using a screw driver on the bottom of the detector. In this way, the user can find what they want to set easily and quickly.



Clever Teach-In function

Lighting conditions change quickly – it is good if you can simply save them when they are exactly how they should be. With the clever Teach-In function, the current lux value can be continuously maintained. No specialist knowledge required. by the end user. It couldn't be easier.



Practical test function

With theLuxa you can avoid detection errors from the outset: With the practical test function the detection area can be established, set and optimised immediately after installation. Even in daylight and sunshine – when conventional motion detectors do not normally react.



Elegant ceiling mounting

This is made possible by the swivelling sensor head: With the model theLuxa S360 the chic motion detector can also be mounted on the ceiling or on roof overhangs. This gives users more leeway to discover the optimum detection range.



More spacious sockets

Time is money. With theLuxa you can save both. The motion detector boasts a socket-with a large connection area. This makes installation easier and faster, as the socket can be easily screwed to the wall and the wires connected. The detector itself is not in the way during installation and is easily attached at the end.



Suitable for flush-mounted boxes

Good to know: When there are already connections present, you do not have to drill any new holes for theLuxa. The detector can be fixed to a flush-mounted box (60 mm). Simply screw it on and it's ready.

Highly visible terminal labelling

It is nice when you can always see what each connection is for. With theLuxa this is not a problem. The terminal labelling is above the connector itself. In this way it cannot be hidden by wires. That is not only more attractive, but much safer.

Safe fixtures

Thanks to its blind terminal for earth conductors and the bracket for plug-in terminals, installation of theLuxa is quicker and safer. The earth conductor is neatly fixed, as it should be.



Safer and more convenient to use

Light conveys safety and comfort. That is the main idea behind theLuxa: Never to leave the user in the dark. And this is something that we have been able to achieve with our chic motion detector and its elegant design.



Swivelling sensor head

With its horizontally swivelling sensor head, theLuxa only detects movement in those areas where it really should. Within the delivery scope of theLuxa S360, cover clips for partial limitation of the detection area are included. This means that unwanted activation of the detector due to movement next door or on the pavement can be avoided.



Convenient creep under protection

theLuxa's creep under protection also covers the areas directly under and even a little behind the detector. This means that the light comes on when it is needed. Immediately, and not when you've already tripped over the first step.



Manual switching

The motion detector can also be switched on manually. This is practical, for example, if you hear a noise that may have been made outside the detection area. This gives you a reassuring feeling of security.



Practical Impulse function

With the impulse function, the motion detectors can be installed with stair light time switches or KNX without having to make expensive changes to existing electrical installations.



Simple and rainproof

theLuxa boasts protection class IP 55. This is not only safe, but also practical, as this means that theLuxa can be used all over outdoors, regardless of how protected the installation area is from the weather.



High switching capacity

With its zero-cross switching, theLuxa allows for switching loads of up to 10 amps. This allows you to connect several lamps at the same time. For example, when it is a case of lighting larger areas such as loading ramps or hotel facilities. This gives you more security in your planning, lowers costs and reduces installation times, as you can save yourself the usual additional modules. Finally, this is also good for the environment, as the lifespan of the light is lengthened.



More compact on the wall

theLuxa S150/180



Product description

Common functions

- Motion detector (PIR)
- Automatic lighting control depending on presence and brightness
- For outdoor use (IP55)
- Additional creep under protection
- Sensor head can be swivelled horizontally $\pm 90^\circ$ and can be turned downwards 30°
- Brightness switching value and time delay can be set
- Mixed light measurement suitable for controlling LEDs, fluorescent, incandescent and halogen lamps
- Zero-cross switching ensures that relays are protected during switching and allows for high lamp loads
- Teach-In of the current brightness value

- Impulse function
- Test function to check the detection area
- Assembly on flush-mounted box (60 mm) possible
- Single-handed socket installation with captive screws
- Immediate use possible thanks to default setting
- Adjusters protected
- Blind terminal for earth conductor
- Available in white and black

theLuxa S150

- Detection area 150°

theLuxa S180

- Detection area 180°

More on
motion detector theLuxa



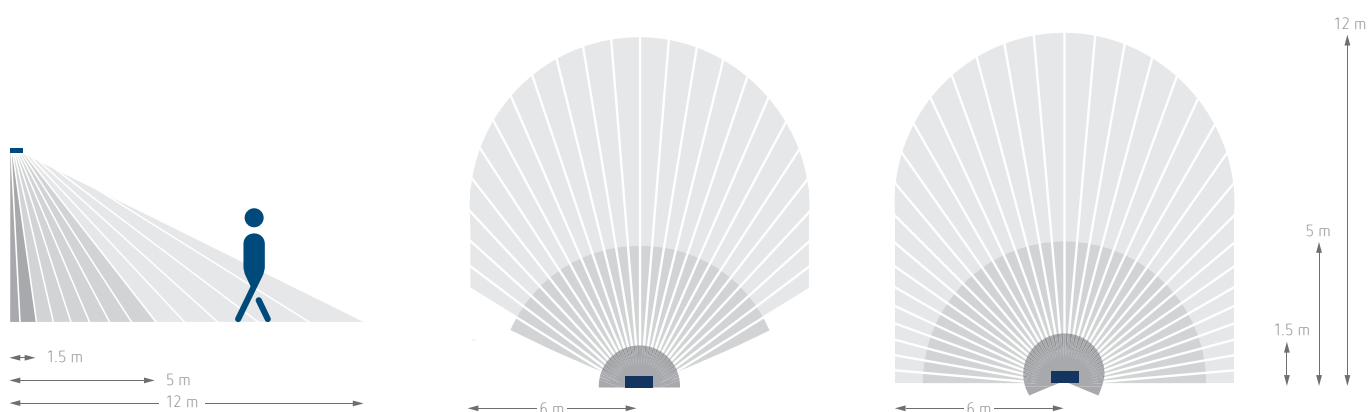
Technical data

	theLuxa S150	theLuxa S180
Detection area	150°	180°
Operating voltage	230 V AC	
Frequency	50 Hz	
Standby output	0.9 W	
Number of channels	1	
Installation type	Wall installation	
Brightness setting range	5 - 1000 lx	
Switching capacity light	10 A (at 230 V AC, $\cos \varphi = 1$)	6 A (at 230 V AC, $\cos \varphi = 0.6$) 3 AX (at 230 V AC, $\cos \varphi = 0.3$)
Light delay time	1 s - 20 min	
LED lamps	< 2 W = 10 W or > 2 W < 8 W = 30 W	
Incandescent and halogen lamp load	2300 W	
Fluorescent lamp load (EB)	200 VA	
Energy saving lamps	50 W	
Lamp	LEDs, incandescent or halogen, fluorescent and energy saving lamps	
Protection rating	IP 55	
Protection class	II	
Ambient temperature	-25 °C ... 45 °C	
Colour	white and black	

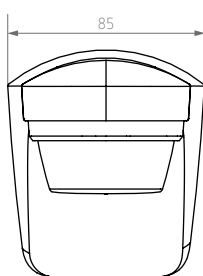
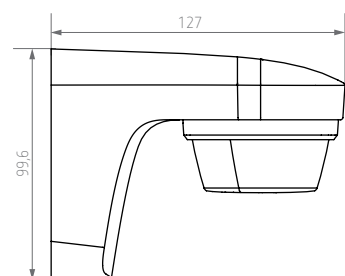
Detection areas (Installation height 2.5 m)

theLuxa S150

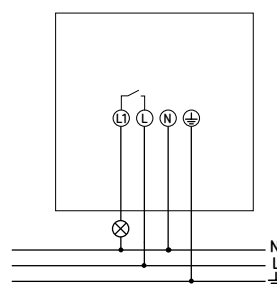
theLuxa S180



Scale drawing



Connection diagram



Greater scope of use

theLuxa S360



Product description

- Motion detector (PIR)
- Automatic lighting control depending on presence and brightness
- For outdoor use
- For wall and ceiling mounting
- Sensor head can be swivelled horizontally $\pm 90^\circ$ and can be turned downwards 45° and upwards 90°
- Brightness switching value and time delay can be set
- Sensitivity can be reduced to limit the detection area
- Mixed light measurement suitable for controlling LEDs, fluorescent, incandescent and halogen lamps
- Zero-cross switching ensures that relays are protected during switching and allows for high lamp loads
- Teaching in of the current brightness switching value
- Impulse function
- Test function to check the detection area
- Assembly on flush-mounted box (60 mm) possible
- Single-handed socket installation with captive screws
- Immediate use possible thanks to default setting
- Adjusters protected
- Blind terminal for earth conductor
- Available in white and black

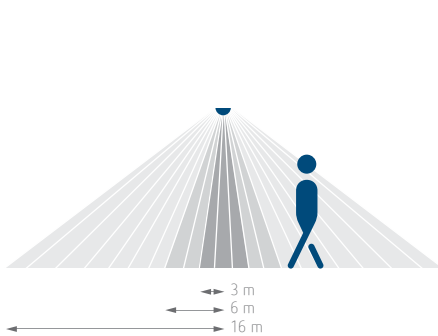
More on
motion detector theLuxa



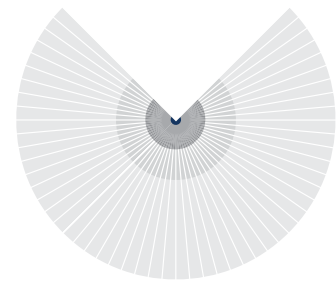
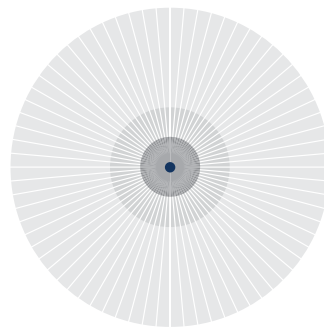
Technical data

	theLuxa S360		
Detection area	360°		
Operating voltage	230 V AC		
Frequency	50 Hz		
Standby output	0.5 W		
Number of channels	1		
Installation type	Wall and ceiling mounting		
Brightness setting range	5 - 1000 lx		
Switching capacity light	10 A (at 230 V AC, $\cos \varphi = 1$)	6 A (at 230 V AC, $\cos \varphi = 0.6$)	3 AX (at 230 V AC, $\cos \varphi = 0.3$)
Light delay time	1 s - 20 min		
LED lamps	< 2 W = 10 W or > 2 W < 8 W = 30 W		
Incandescent and halogen lamp load	2300 W		
Fluorescent lamp load (EB)	200 VA		
Energy saving lamps	50 W		
Lamp	LEDs , incandescent or halogen, fluorescent and energy saving lamps		
Protection rating	IP 55		
Protection class	II		
Ambient temperature	- 25 °C ... 45 °C		
Colour	white and black		

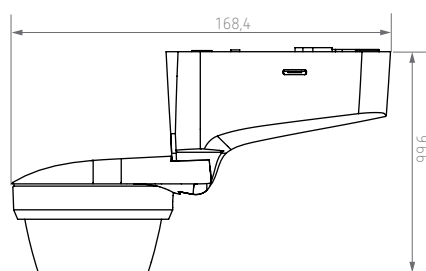
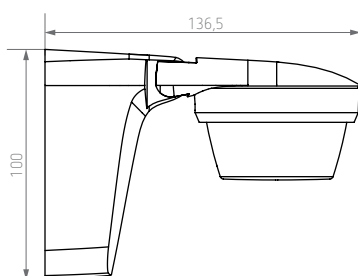
Detection range theLuxa 360 (Installation height 2.5 m)



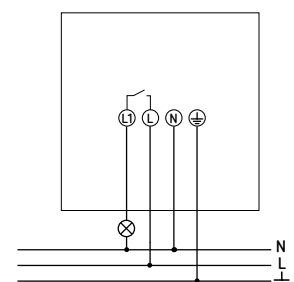
Corner mounting



Scale drawing



Connection diagram



Intelligent accessories

Accessories to cover all applications

Sometimes more space is needed than originally thought. The wire can either come from the side, the top or the bottom. At the end of the day it more a question of convenience. So a solution is needed which really helps: Everything that makes use and installation more flexible is provided by the clever accessories.

Accessories for thePrema

Alongside a flush-mounting box and surface mount frame in two different sizes, there are also two remote controls available for thePrema, which make programming and use easier: theSenda S for the user and theSenda P for service staff.

theSenda S	Art.-No. 9070911
theSenda P	Art.-No. 9070910



theSenda S

theSenda P

Accessories for theLuxa

Like theLuxa motion detector, the corner angle and the spacers are also available in black and white. The spacing frames make installation easier in all situations which require more room for laying the cables. They are also useful when inserting leads from the side, above or below. The corner angle allow for installation in inner or on outer corner areas.



Spacer frame theLuxa S

Corner angle theLuxa S

Spacer theLuxa S WH	Art.- No. 9070906
Spacer frames theLuxa S BK	Art.- No. 9070907
Corner angle theLuxa S WH	Art.- No. 9070902
Corner angle theLuxa S BK	Art.- No. 9070903





More efficient and future-proof Energy saving lighting

You can save money and help the environment with cosy lighting. Theben's new universal dimmers have an extremely low consumption on stand-by, look after your lights and help them to last longer.



Comfort a free selection

With the comfort device DIMAX 534 plus up to three freely programmable light scenarios can be triggered via a separate entry and the comfort device also has a central ON/OFF function. The dimming speed for lighting scenario changes can be set individually.



Optimised for energy saving lamps

As energy saving lamps from different manufacturers have different dimming characteristics, the new universal dimmer has two optimised settings with individually adjustable minimum brightness. The switch-on brightness can also be set as required.



Dimming future-safe LEDs

Theben's new universal dimmer offers you high investment security, as it is able to dim LED-lamps, reliably and smoothly.

One for all DIMAX plus



Product description

Common functions

- Universal dimmer for R-, L- and C loads with automatic load recognition
- 60 W dimmable LEDs, 400 W dimming output, 80 W dimmable energy-saving lamps (ESL)
- Switch on brightness can be saved individually
- Minimum brightness can be set (required for LEDs and ESL)
- Multi tension entry, e.g. for intercoms
- Low consumption on stand-by
- Memory function in the event of a powercut

- Automatic electronic overload and overheating cutoff
- Dimming/switch-on function
- Permanent ON-function (Test function)
- No minimum load necessary
- Soft ON/Soft OFF looks after your lamps
- If the DMB 1 T KNX ‚Dimbooster‘ is used, the dimming output can be upgraded to 300 W

DIMAX 534 plus

- Comfort setting with wake up and snooze function (can be deactivated), e.g. for the kids' room
- Dimming speed can be set (in the case of automatic functions)

- One and two button controls for ease of use
- Up to 3 light scenarios can be triggered over separate entries
- Central ON/OFF for max. 10 dimming channels or light scenarios for max. 10 devices with one push button possible
- Stair light function with dimming function in accordance with DIN 18015-2 (resettable, long-lasting function)
- Can be controlled via a push button or switch, e.g. for combinations with presence detectors or time switches

Technical data

DIMAX 532 plus DIMAX 534 plus	
Operating voltage	230 V AC
Frequency	50 Hz
Standby output	0.2 W
LED lamp load	60 W (dimmable)
Incandescent and halogen lamp load	400 W
Electronic transformers (C)	300 W
Inductive transformers (L)	400 W
Energy saving lamps	80 W (dimmable)
Ambient temperature	-30 °C ... +50 °C
Protection class	II
Protection rating	IP 20



More on the
universal dimmer DIMAX plus



More reliable planning For greater energy savings

The weather forecast is one thing. Reacting to it sensibly is an art, which Theben's Meteodata has mastered: Heat accumulators can then be loaded in good time, awnings used effectively and rain water used even more efficiently.



Minimise heating costs

Only heat as much water as you really need: If the weather report reliably forecasts sunshine, only the absolutely necessary amount of water will be heated in the morning. For the remaining heat that is needed the solar energy system will be used later in the day.



Use heat radiation effectively

In summer, awning systems stop unused areas from being too strongly heated by the sun's rays. In winter on the other hand, shade is minimised in order to achieve maximum heat gain from the sun's rays.



Sun protection control with foresight

Bad weather or storms can be predicted early thanks to the Meteodata's weather forecasts. The EFR weather data* is transmitted by longwave. This gives you the chance to react in time and bring in your awning in time in the morning.

The weather data received can be shown on a KNX multi-function display such as the VARIA 826 KNX.



More effective with foresight

Meteodata 139 KNX



Product description

- Weather forecast receiver
- Receives weather data from the EFR via longwave* on hours of sunlight, probability of rain, wind speeds and temperatures.
- Weather forecasts for the next 3 days are shown in 6 hour blocks.
- In addition, weather scenarios such as "fine", "cloudy", "rainy", among others, and storm warnings are also received
- Data can be visualised purely for information purposes

- By using the data, heating and shade can be controlled with foresight, e.g.:
 - If sun is forecast, only the absolutely necessary amount of water will be heated using the central heating system in the morning and the solar heating system will be used later for the rest.
 - In summer, awning systems are used in unused rooms in order to prevent the rooms being heated up by the sun's rays.
 - In winter, however, the use of awnings is minimised in order to let as much of the sun's heat in the room as possible

- Exact time entry in the KNX system thanks to a time signal sent with the weather data.

Technical data

Operating voltage	Installation type	Connection type	Ambient temperature	Protection class	Protection rating
Bus voltage, ≤12 mA	Wall installation	KNX bus terminal	-20°C ... +55°C	III	IP 54

* This service is not available in all European countries. Find out more at www.efr.de/en

More on
Meteodata 139 KNX



Everything at a glance

Overview

thePrema (Available October 2013)

Detection range	channels	Function	Colour	Type	Art.- No.
8 x 8 m	Light	Master	White	thePrema S360-100 UP WH	2070500
			Grey	thePrema S360-100 UP GR	2070501
	Light Presence	Master	White	thePrema S360-101 UP WH	2070505
			Grey	thePrema S360-101 UP GR	2070506
	-	Slave	White	thePrema S360 Slave UP WH	2070530
			Grey	thePrema S360 Slave UP GR	2070531
10 x 10 m	Light Presence	Master	White	thePrema P360-101 UP WH	2070005
			Grey	thePrema P360-101 UP GR	2070006
	-	Slave	White	thePrema P360 Slave UP WH	2070030
			Grey	thePrema P360 Slave UP GR	2070031

thePrema KNX (Available February 2014)

Detection range	channels	Function	Colour	Type	Art.- No.
8 x 8 m	Light Presence	Master	White	thePrema S360 KNX UP WH	2079500
			Grey	thePrema S360 KNX UP GR	2079501
10 x 10 m	Light Presence	Master	White	thePrema P360 KNX UP WH	2079000
			Grey	thePrema P360 KNX UP GR	2079001

Accessories thePrema (Available January 2014)

Accessories	Colour	Type	Art.- No.
User remote control	White	theSenda S	9070911
Service remote control	White	theSenda P	9070910

theLuxa S

Installation type	Channel	Detection area	Colour	Type	Art.- No.
Wall installation	Light	150°	White	theLuxa S150 WH	1010500
			Black	theLuxa S150 BK	1010501
		180°	White	theLuxa S180 WH	1010505
			Black	theLuxa S180 BK	1010506
Wall and ceiling mounting	Light	360°	White	theLuxa S360 WH	1010510
			Black	theLuxa S360 BK	1010511

Accessories theLuxa S

Accessories	Compatible with	Colour	Type	Art.- No.
Spacer	theLuxa S150 theLuxa S180 theLuxa S360	White	Spacer theLuxa S BK	9070906
		Black	Spacer theLuxa S BK	9070907
Corner angle	theLuxa S150 theLuxa S180 theLuxa S360	White	Corner angle theLuxa S WH	9070902
		Black	Corner angle theLuxa S WH	9070903

DIMAX plus

Load recognition	Optimised for LED, energy saving lamps	Light scenes	Multi-function	Type	Art.- No.
√	√	–	–	DIMAX 532 plus	5320001
		√	√	DIMAX 534 plus	5340001

Meteodata 139 KNX

Operating voltage	Installation type	Connection type	Type	Art.- No.
Bus voltage, ≤12 mA	Wall installation	KNX bus terminal	Meteodata 139 KNX	1399200

theben

Theben AG
72401 Haigerloch
Germany
Phone +49 7474 692-0
Fax +49 7474 692-150
info@theben.de
www.theben.de/en

9900614 3513 Subject to technical changes and improvements.

